

Able to leap tall buildings.

Up to 60,000 lumens. 5 beam options. 1 powerful flood.

FXLED® 500

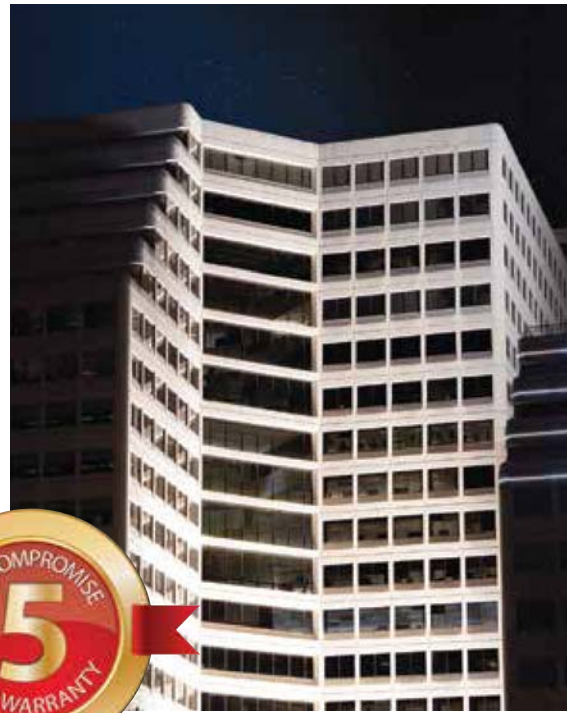


Visit rabweb.com to see which models are DLC listed.

RAB | Outdoor

FXLED® 500

- Up to 60,000 lumens; replaces 1500W MH floodlights
- Five distributions available: 7H x 6V, 6H x 4V, 4H x 6V, 5H x 5V, and 3H x 3V
- Precision optics ideal for a wide variety of applications such as illuminating large fields, tall or wide buildings and recreational parks
- Ultra efficient, up to 120 lm/W
- Architectural round back design
- 100,000-Hour LED lifespan

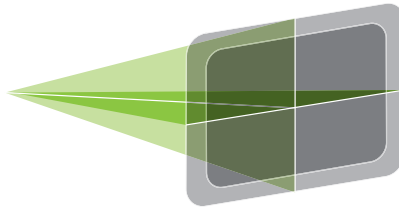


Distributions - NEMA Types

VERY WIDE FLOOD

NEMA Type **7H x 6V**

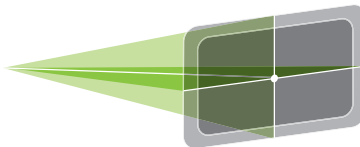
35' Mounting Height, 60° Uptilt



WIDE FLOOD

NEMA Type **6H x 4V**

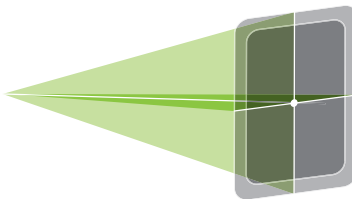
35' Mounting Height, 60° Uptilt



VERTICAL FLOOD

NEMA Type **4H x 6V**

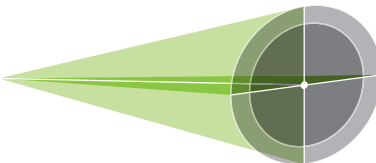
35' Mounting Height, 60° Uptilt



MEDIUM FLOOD

NEMA Type **5H x 5V**

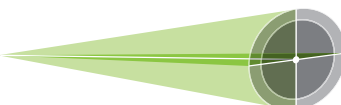
35' Mounting Height, 60° Uptilt



MEDIUM NARROW SPOT

NEMA Type **3H x 3V**

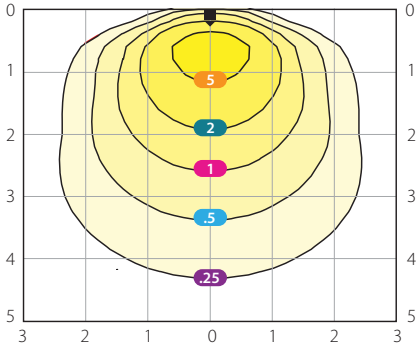
35' Mounting Height, 60° Uptilt



Photometrics

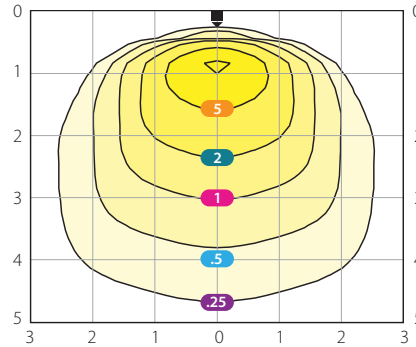
FXLED® 500W - NEMA Type 7H x 6V

40' Mounting Height, 60° Uptilt
Photometric Report #ITL89118



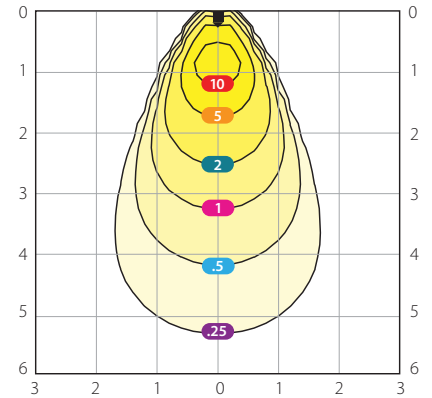
FXLED® 500W - NEMA Type 6H x 4V

40' Mounting Height, 60° Uptilt
Photometric Report #ITL89124MOD50



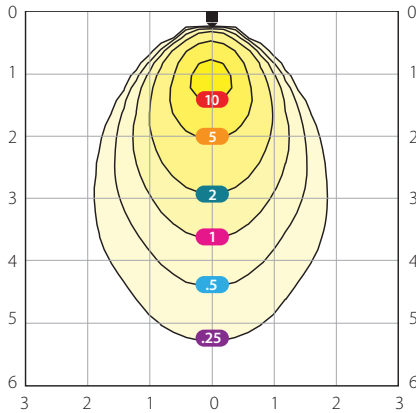
FXLED® 500W - NEMA Type 4H x 6V

40' Mounting Height, 60° Uptilt
Photometric Report #ITL89122MOD50



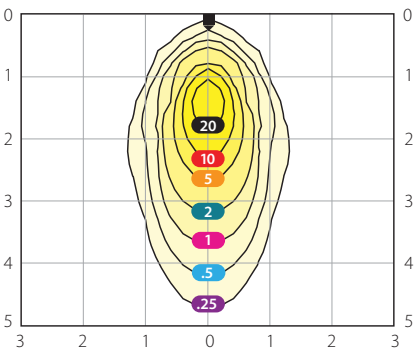
FXLED® 500W - NEMA Type 5H x 5V

40' Mounting Height, 60° Uptilt
Photometric Report #ITL89258MOD50



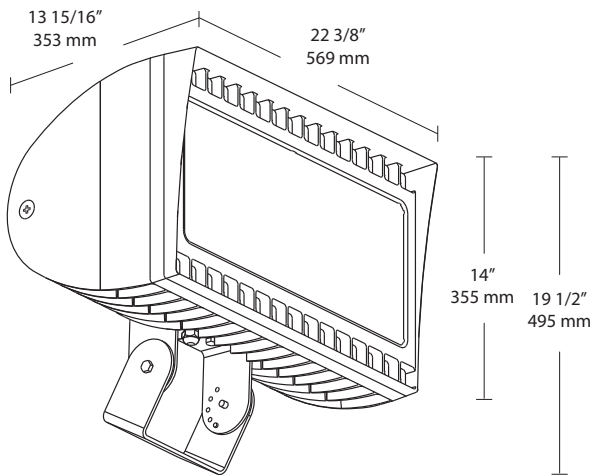
FXLED® 500W - NEMA Type 3H x 3V

40' Mounting Height, 60° Uptilt
Photometric Report #ITL89680



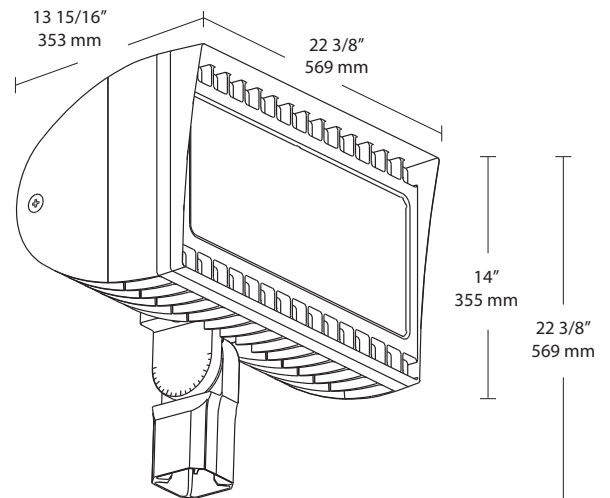
Grid scale: multiples of mounting height. Values Shown in Footcandles.

Dimensions and weights



TRUNNION MOUNT

Weight: 71 lbs EPA: 4.0



SLIPFITTER

Weight: 71 lbs EPA: 4.0

Ordering information

Product Family	Wattage	Mounting	Color Temp	NEMA Type	Finish	Voltage	Driver Options	Options
FXLED	500						/D10	
500 500W	SF Slipfitter T Trunnion	Blank 5000K N 4000K Y 3000K	Blank 7H x 6V B64 6H x 4V B55 5H x 5V B46 4H x 6V B33 3H x 3V	Blank Bronze W White	Blank 120-277V /480 480V	/D10 0-10V Dimming	Blank No Options /PCS 120V Swivel Photocell /PCS2 277V Swivel Photocell /PCS4 480V Swivel Photocell /PCT 3PIN Twistlock Photocell 120-277V /PCT4 3PIN Twistlock Photocell 480V /SP 10KV surge suppressor /LC Lightcloud Controller* /BL Bi-level Module*	

*Only for 120-277V

Specifications

NEMA Type: 7Hx6V

Color Temp	5000K	4000K	3000K
Input Watts	504	503	511
Output Lumens	59530	60556	58061
Lumens Per Watt	118	120	114
Color Accuracy (CRI)	74	74	72

NEMA Type: 5Hx5V

Color Temp	5000K	4000K	3000K
Input Watts	504	503	511
Output Lumens	57401	58390	57206
Lumens Per Watt	114	116	112
Color Accuracy (CRI)	76	75	72

NEMA Type: 3Hx3V

Color Temp	5000K	4000K	3000K
Input Watts	504	504	509
Output Lumens	51525	55470	53236
Lumens Per Watt	102	110	105
Color Accuracy (CRI)	76	74	72

NEMA Type: 6Hx4V

Color Temp	5000K	4000K	3000K
Input Watts	498	497	510
Output Lumens	57091	58075	56245
Lumens Per Watt	115	117	110
Color Accuracy (CRI)	76	74	72

NEMA Type: 4Hx6V

Color Temp	5000K	4000K	3000K
Input Watts	503	502	510
Output Lumens	56332	57303	54942
Lumens Per Watt	112	114	108
Color Accuracy (CRI)	76	74	72

Lumen outputs are typical (tolerance +/-10%).
Values are based on a 7Hx6W in 120-277V fixture.

UL Listing: Suitable for wet locations. Suitable for ground mounting.

LEDs: Multi-chip, high-output, long-life LEDs

Lifespan: 100,000-hour LED lifespan based on IES LM-80 results and TM-21 calculations

Drivers: Class 1, Constant Current, 50/60 Hz, 120-277V or 480V with 4kV surge protection, 120V: 4.27A, 208V: 2.53A, 240V: 2.20A, 277V: 1.84A, 480V: 1.08A, THD <14%, Power Factor >95%

Bi-Level Operation (optional): Allows 25%, 50%, and 75% output modes

Dimming: Available with 0-10V dimming driver

Cold Weather Starting: The minimum starting temperature is -40°C.

Housing: Die-cast aluminum housing with Lens frame

Reflector: Specular and semi-specular vacuum metalized polycarbonate

NEMA Type: 7H x 6V, 6H x 4V, 5H x 5V, 4H x 6V and 3H x 3V are available

IP Rating: Ingress protection rating of IP66 for dust and water

Mounting: Slipfitter for 2 3/8" OD pipe or trunnion with stainless steel hardware

Vibration Rating: 2G vibration rating per ANSI C136.31.

ABS: Approved for use on mobile offshore drilling units and shipping vessels

Gaskets: High-temperature silicone gaskets

Color Consistency: 7-step MacAdam Ellipse binning to achieve consistent fixture-to-fixture color

Color Stability: LED color temperature is warranted to shift no more than 200K in CCT over a 5 year period.

Color Uniformity: RAB's range of CCT (Correlated Color Temperature) follows the guidelines of the American National Standard for Specifications for the Chromaticity of Solid State Lighting (SSL) Products, ANSI C78.377-2017.

Finish: Our environmentally friendly polyester powder coatings are formulated for high-durability and long-lasting color, and contain no VOC or toxic heavy metals.

Green Technology: Mercury and UV free. RoHS-compliant components.

IESNA LM-79 & LM-80 Testing: RAB LED luminaires have been tested by an independent laboratory in accordance with IESNA LM-79 and LM-80, and have received the Department of Energy "Lighting Facts" label.