

Industry-leading efficacy,
incredible value.

PIPXL™ and PIP™
floodlights.



RAB[®]
LIGHTING
RABWEB.COM • 888-722-1000

PIPXL™ & PIP™ Floodlights

- Up to 16,600 lm & 400W MH replacement
- Ultra-high efficiency, up to 150 lm/W
- 3G vibration rating on PIPXL models
- 0-10V Dimming, standard
- 60,000-Hour LED lifespan
- 5-Year limited warranty

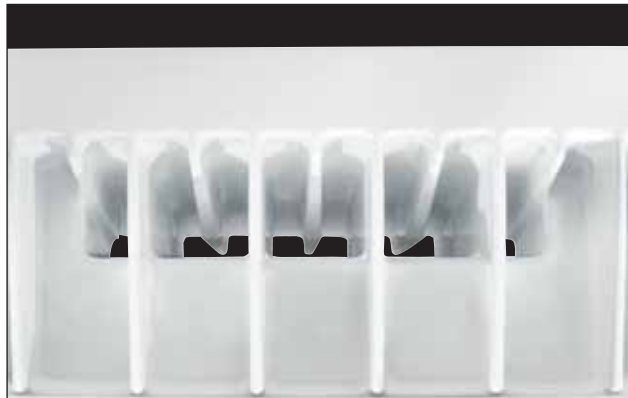


Visit rabweb.com to see which models are DLC Premium or DLC qualified.



On when you need it,
off when you don't.

PIP's optional, unobtrusive photocell saves you even more energy, and PIPXL models have additional sensor options.



Stay cool.

The entire PIP family features patented "Air-flow" technology that keeps the fixture running cool for optimal operation.



Protected from the elements.

With an IP66 rating, PIPXL and PIP are completely dust tight and protected against powerful water jets.

Performance

With annual energy savings of up to \$170, combined with the reduced maintenance cost that comes with installing LED, the PIPXL100 can pay itself off in less than 2 years!

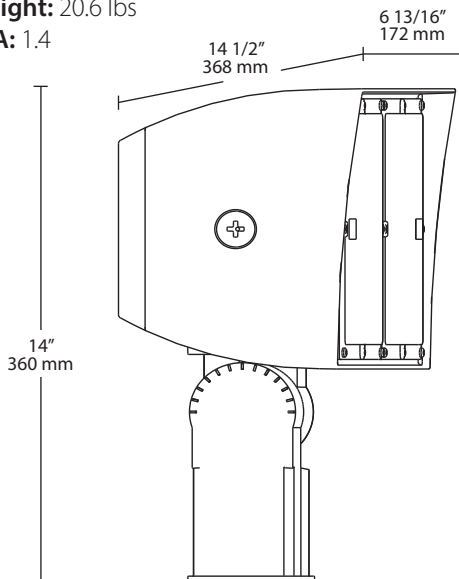
PRODUCT	WATTAGE	CLAIMED LIFESPAN	HID EQUIVALENCY	LED SAVINGS
PIPXL100/D10	100W	>60,000 Hrs	400W MH	76%
PIPXL70/D10	70W	>60,000 Hrs	250W MH	74%
PIP45/D10	45W	>60,000 Hrs	150W MH	74%
PIP30/D10	30W	>60,000 Hrs	100W MH	76%
PIP20/D10	20W	>60,000 Hrs	70W MH	78%
PIP15/D10	15W	>60,000 Hrs	50W MH	77%

Dimensions and weights

PIPXL 100 and 70W • Slipfitter

Weight: 20.6 lbs

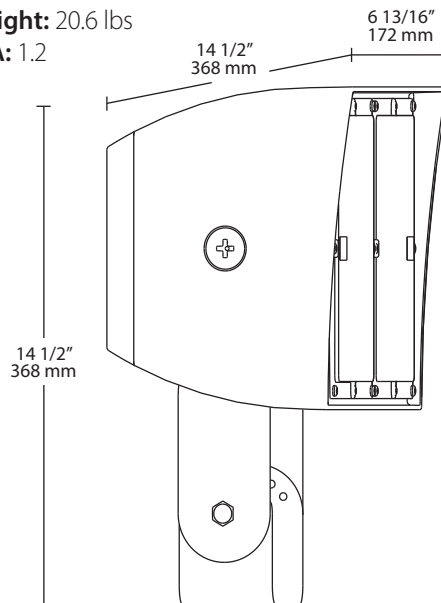
EPA: 1.4



PIPXL 100 and 70W • Trunion

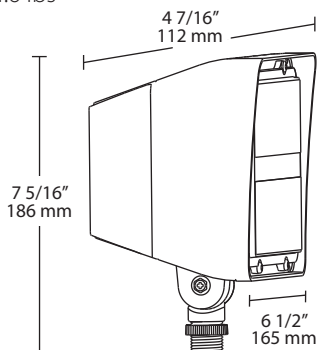
Weight: 20.6 lbs

EPA: 1.2



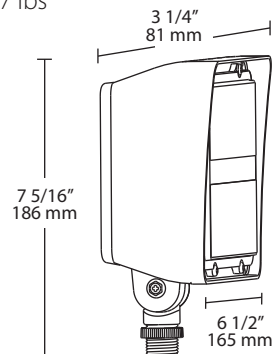
PIP 45W

Weight: 4.6 lbs



PIP 30, 20 and 15W

Weight: 3.7 lbs

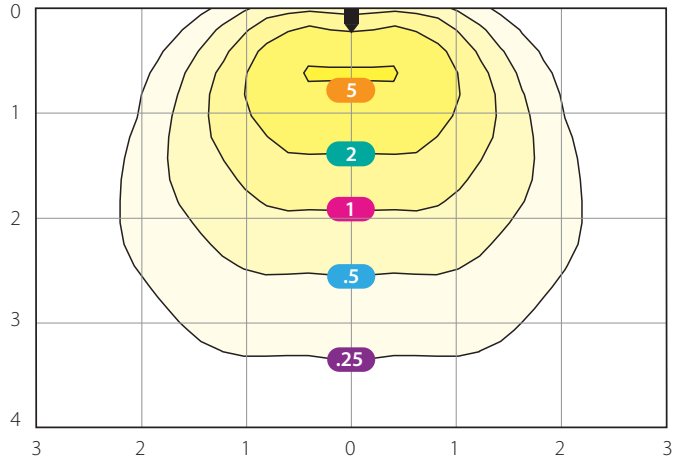


Photometrics

PIPXL100 - 5000K

25' mounting height, aimed 30° below horizon

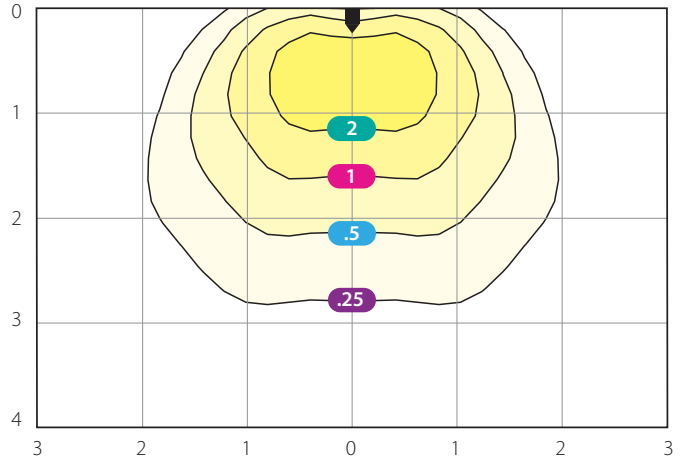
Photometric Report #RAB02883



PIPXL70 - 5000K

25' mounting height, aimed 30° below horizon

Photometric Report #RAB02884



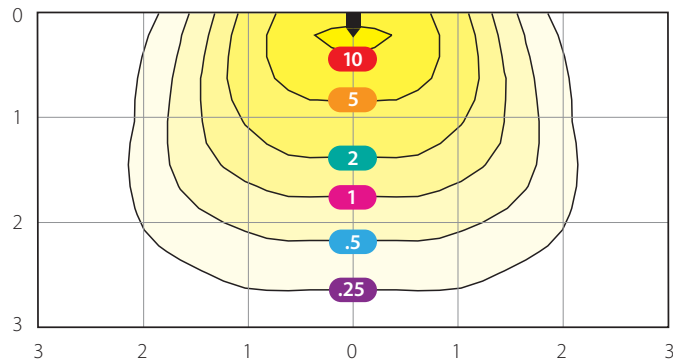
Mounting Height	20	22	25	30	32	35
Multiplier	1.6	1.3	1.0	0.7	0.6	0.5

Grid scales: Multiples of mounting height
Values shown in footcandles

PIP45 - 5000K

15' mounting height, aimed 30° below horizon

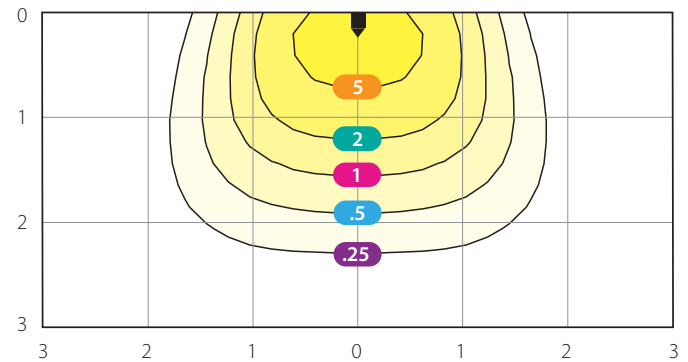
Photometric Report #RAB02526



PIP30 - 5000K

15' mounting height, aimed 30° below horizon

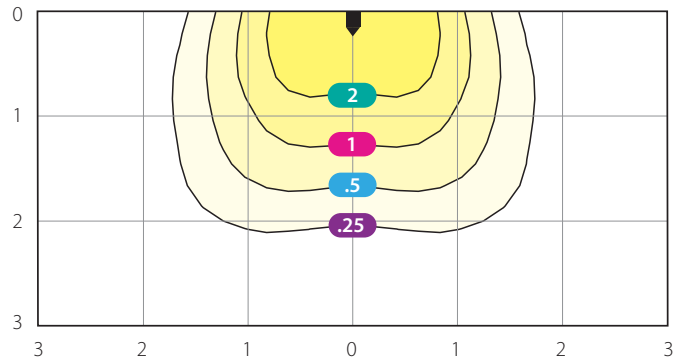
Photometric Report #RAB02141



PIP20 - 5000K

15' mounting height, aimed 30° below horizon

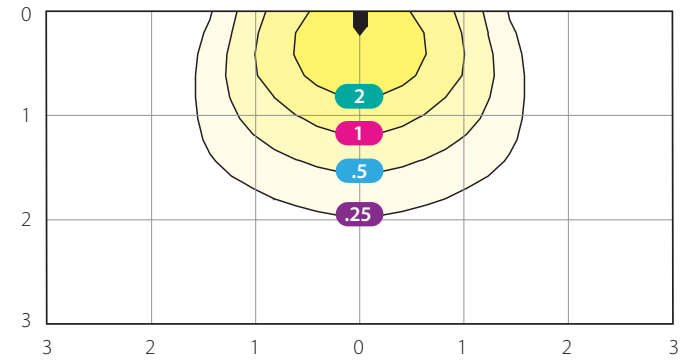
Photometric Report #RAB02136



PIP15 - 5000K

15' mounting height, aimed 30° below horizon

Photometric Report #RAB02143



Mounting Height	8	10	12	15	18	20
Multiplier	3.5	2.3	1.6	1.0	0.7	0.6

Grid scales: Multiples of mounting height
Values shown in footcandles

Specifications

UL Listing: Suitable for wet locations. Suitable for ground mounting.

IP Rating: Rated IP66. Completely dust tight and protected against powerful water jets.

Vibration Rating: 3G vibration rating per ANSI C136.31 (PIPXL models only).

LEDs: Long-life, high-efficiency, surface-mount LEDs

Driver: Class 2, constant current, 50/60 Hz.

100W: 0.93A @ 120V; 0.56A @ 208V; 0.49A @ 240V; 0.41A @ 277V; 0.32A @ 480V

70W: 0.63A @ 120V; 0.39A @ 208V; 0.34A @ 240V; 0.29A @ 277V; 0.22A @ 480V

45W: 0.42A @ 120V; 0.26A @ 208V; 0.22A @ 240V; 0.19A @ 277V

30W: 0.26A @ 120V; 0.16A @ 208V; 0.14A @ 240V; 0.12A @ 277V

20W: 0.16A @ 120V; 0.10A @ 208V; 0.09A @ 240V; 0.08A @ 277V

15W: 0.13A @ 120V; 0.08A @ 208V; 0.07A @ 240V; 0.06A @ 277V

5000K

Nominal Watts @120V	100W	70W	45W	30W	20W	15W
Input Watts	111	74	49	31	20	16
Output Lumens	15,839	10,601	6387	4162	2728	2091
Lumens Per Watt	143	143	129	134	138	134
Color Accuracy (CRI)	78	78	78	77	77	77

4000K

Nominal Watts @120V	100W	70W	45W	30W	20W	15W
Input Watts	111	74	49	31	20	16
Output Lumens	16,605	11,114	6181	4265	2796	2143
Lumens Per Watt	150	150	126	137	141	137
Color Accuracy (CRI)	74	74	75	72	72	72

3000K

Nominal Watts @120V	100W	70W	45W	30W	20W	15W
Input Watts	110	75	49	31	20	16
Output Lumens	15,808	10,777	6320	4106	2692	2063
Lumens Per Watt	143	144	128	131	134	131
Color Accuracy (CRI)	72	73	71	73	73	73

Dimming: 0-10V dimmable driver, standard

Thermal Management: Superior thermal management with patent pending, external "Air Flow" fins

Cold Weather Starting: **15-45W models:** Minimum starting temperature is -40°C (-40°F). **70-100W models:** Minimum starting temperature is -30°C (-22°F)

Housing: Precision die-cast aluminum

Mounting: **15-45W models:** Mounting arm with "O" ring seal and stainless steel screw. **70-100W models:** Heavy-duty slipfitter (for 2 3/8" OD pipe) or trunnion mount

Lens: **15-45W models:** Frosted acrylic lens with integrated optics. **70-100W models:** Clear, optical-grade acrylic lens

Optics (NEMA Type): 7H x 6V

Gaskets: High-temperature silicone

IESNA LM-79 & LM-80 Testing: RAB LED luminaires have been tested in accordance with IESNA LM-79 and LM-80, and have received the Department of Energy "Lighting Facts" label.

Finish: Our environmentally friendly polyester powder coatings are formulated for high-durability and long-lasting color, and contain no VOC or toxic heavy metals.

Green Technology: Mercury and UV free. RoHS-compliant components.

PIP family comparison



Wattages	15W, 20W, 30W	45W	70W, 100W
Color Temperatures	3000K, 4000K, 5000K	3000K, 4000K, 5000K	3000K, 4000K, 5000K
Mounting	Swivel Arm	Swivel Arm	Trunnion, Slipfitter
Sensors	Button Photocell	Button Photocell	Button Photocell, Twistlock Photocell, Lightcloud Controller
Accessories	None	None	Hood, Wire Guard
DLC Listing	Premium	Premium	Premium

Ordering information

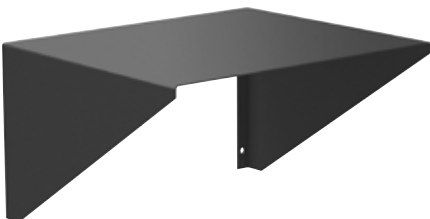
Product Family	Wattage	Color Temperature	Finish	Driver	Options
PIP				/D10	
	45 45W 30 30W 20 20W 15 15W	Blank 5000K N 4000K Y 3000K	Blank Bronze W White	/D10 0-10V Dimming, 120-277V	Blank No Photocell /PCU 120-277V Button Photocell

Product Family	Wattage	Mounting	Color Temp	Finish	Driver	Options
PIPXL						
	100 100W 70 70W	SF Slipfitter T Trunnion	Blank 5000K N 4000K Y 3000K	Blank Bronze W White	/D10 0-10V Dimming, 120-277V /480/D10 0-10V Dimming, 480V	Blank No Photocell /PCU 120-277V Button Photocell /PCT 120-277V Twistlock Photocell /PCT4 480V Twistlock Photocell /7PR 120-480V 7-Pin Receptacle /LC 120-277V Lightcloud™ Controller /BL 120-277V Bi-Level Module

Accessories

HPIPXL-12

Bronze 12" hood for PIPXL 70 and 100W



HPIPXLW-12

White 12" hood for PIPXL 70 and 100W



GDPIPXLW

Wire guard for PIPXL 70 and 100W

